

## SensoIRIS MIO40 4 Inputs Module

### EN54-18/17

#### Description

SensoIRIS MIO40 is an addressable module with 4 inputs for monitoring of analogue signals. The module is designed for application in addressable fire alarm systems, supporting TTE communication protocol and has built-in isolator module.

SensoIRIS MIO40 is powered on from the fire panel and can be controlled via the communication protocol.

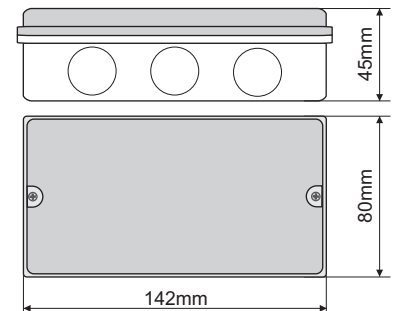
The module is mounted in a separate small plastic box suitable for wall mounting, with transparent cover for visual inspection.



#### Technical and Environmental Specifications

Operating Voltage Range . . . . .	16 - 32VDC
Consumption, stand-by mode . . . . .	300µA@27VDC
Nom. current consumption . . . . .	330µA@27VDC
Current consumption with 1 LED on . . . . .	4mA
Current consumption with 2 LEDs on . . . . .	7mA
Wire Gauge for terminals . . . . .	0.4mm <sup>2</sup> - 2.0mm <sup>2</sup>
Operating temperature . . . . .	-10°C to +60°C
Relative humidity resistance . . . . .	(93 ± 3)% @ 40°C
Protection . . . . .	IP21
Weight . . . . .	~230g
Material (plastic), color . . . . .	ABS, White
Dimensions . . . . .	142 x 80 x 45mm

CE 20  
1293  
DoP No: 042



#### Packing Information

- **Single packing** - 1 unit SensoIRIS MIO40, dimensions 145 x 84 x 50 mm.
- **Carton packing box** - 48 units SensoIRIS MIO40, dimensions 510 x 320 x 200 mm.

#### Compatible Product Range

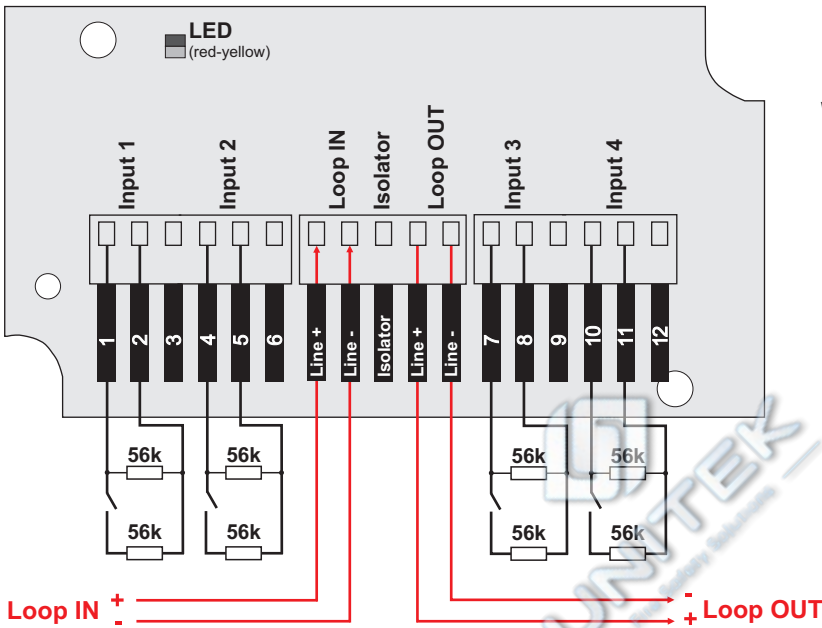
- **IRIS/IRIS PRO** - Addressable Fire Panel, plastic/metal box, 4 loops, 96 zones
- **IRIS8** - Addressable Fire Panel, metal box, 8 loops, 200 zones
- **SIMPO** - Addressable Fire Panel, metal box 2 loops, 48 zones
- **SensoIRIS Programmer** - Address Programming Tool

#### Contact Information

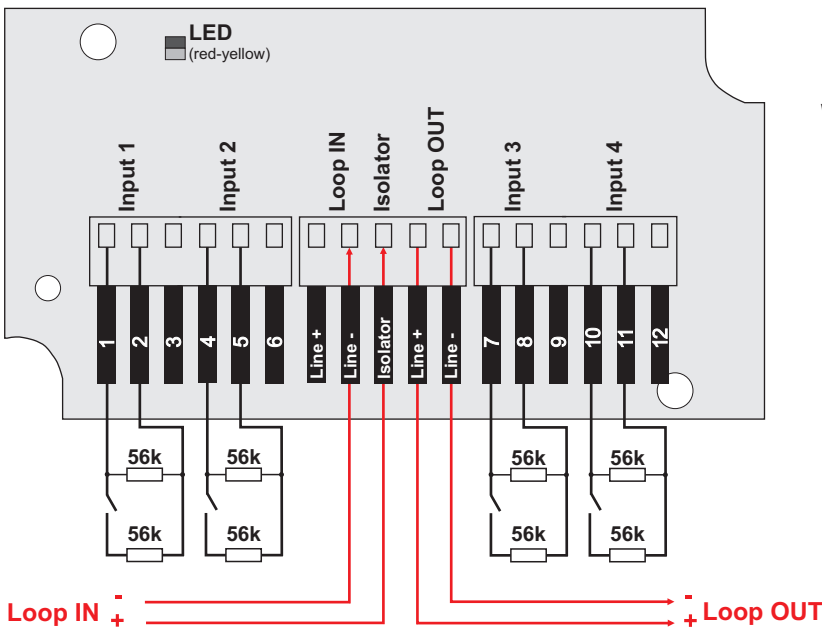
## SensoIRIS MIO40 4 Inputs Module

EN54-18/17

### ● Connection Diagrams



Without using the built-in isolator module.



With using the built-in isolator module.

### ● Contact Information