

SensolIRIS WS IS Addressable Wall Mount Fire Sounder

EN54-3/ 17

Description

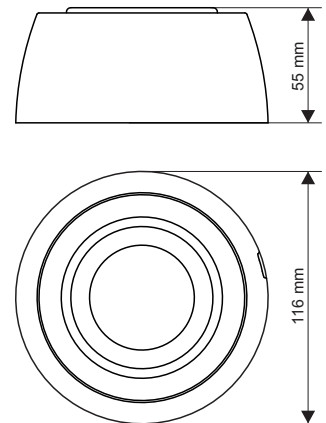
SensolIRIS WS IS is an addressable Wall Mount Sounder designed for installing in addressable fire alarm systems supporting TTE communication protocol. The device is powered on from the panel and can be controlled via the communication protocol. SensolIRIS WS IS is compatible with fire bases B124 and B124-HP for ceiling mounting, and WSB IP65 for wall mounting.



Technical and Environmental Specifications

Operating Voltage Range	16 - 32VDC (Nom. 27VDC)
Nominal consumption (stand-by)	<500µA@27VDC
Maximal consumption (main tone type 27):	
- low volume level, with enabled strobe	<5mA
- high volume level, with enabled strobe	<13mA
Maximal consumption (other tone types):	
- low volume level	<3mA
- high volume level	<10mA
Power volume (main tone type 27):	
- low volume	~ 80dB (A) ± 6dB @ 1m
- high volume	~ 92dB (A) ± 5dB @ 1m
Power volume (other tone types):	
- low volume	75-85dB ± 3dB @ 1m
- high volume	80-95dB ± 3dB @ 1m
Number of tone types	32
Supported communication protocol	TTE
Wire Gauge for terminals	2.5mm ²
Relative humidity resistance	(93 ± 3)% @ 40°C
Protection	IP43C
Weight	183g
Dimensions (without base)	116x55mm
Color	red transparent
Material	SAN

CE₂₀
1293
DoP No: 071



Packing Information

- **Packing box** - 1 unit SensolIRIS WS IS, dimensions 117x120x57 mm.
- **Carton box** - 40 units SensolIRIS WS IS, dimensions 520/250/367 mm.

Compatible Product Range

- **IRIS/IRIS PRO** - Addressable Fire Panel, plastic/metal box, 4 loops, 96 zones
- **IRIS8** - Addressable Fire Panel, metal box, 8 loops, 200 zones
- **SIMPO** - Addressable Fire Panel, metal box, 2 loops, 48 zones
- **SensolIRIS Programmer** - Address Programming Tool
- **SensolIRIS B124** - Standard Base, indoor mounting
- **SensolIRIS B124-HP** - Standard Base with high profile, indoor mounting
- **SensolIRIS WSB IP65** - Waterproof IP65 Base, outdoor mounting

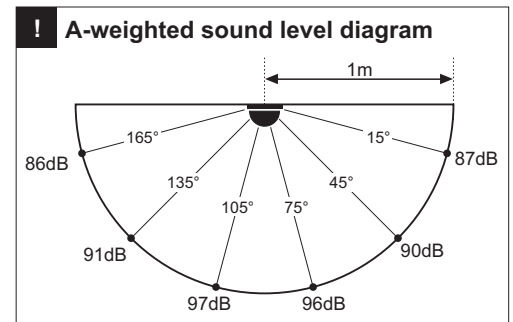
Contact Information:

SensoIRIS WS IS Addressable Wall Mount Fire Sounder

EN54-3/ 17

Supported Tone Types and Description

Tone	Tone Type	Tone Description / Application
1		970Hz
2		800Hz/970Hz @ 2Hz
3		800Hz - 970Hz @ 1Hz
4		970Hz 1s OFF/1s ON
5		970Hz, 0.5s/ 630Hz, 0.5s
6		554Hz, 0.1s/ 440Hz, 0.4s (AFNOR NF S 32 001)
7		500 - 1200Hz, 3.5s/ 0.5s OFF (NEN 2575:2000)
8		420Hz 0.625s ON/0.625s OFF (Australia AS1670 Alert tone)
9		500 - 1200Hz, 0.5s/ 0.5s OFF x 3/1.5s OFF (AS1670 Evacuation)
10		550Hz/440Hz @ 0.5Hz
11		970Hz, 0.5s ON/0.5s OFF x 3/ 1.5s OFF (ISO 8201)
12		2850Hz, 0.5s ON/0.5s OFF x 3/1.5s OFF (ISO 8201)
13		1200Hz - 500Hz @ 1Hz (DIN 33 404)
14		400Hz
15		550Hz, 0.7s/1000Hz, 0.33s
16		1500Hz - 2700Hz @ 3Hz
17		750Hz
18		2400Hz
19		660Hz
20		660Hz 1.8s ON/1.8s OFF
21		660Hz 0.15s ON/0.15s OFF
22		510Hz, 0.25s/ 610Hz, 0.25s
23		800/1000Hz 0.5s each (1Hz)
24		250Hz - 1200Hz @ 12Hz
25		500Hz - 1200Hz @ 0.33Hz
26		2400Hz - 2900Hz @ 9Hz
27		2400Hz - 2900Hz @ 3Hz 2500Hz (main sound frequency)
28		800Hz - 970Hz @ 100Hz
29		800Hz - 970Hz @ 9Hz
30		800Hz - 970Hz @ 3Hz
31		800Hz, 0.25s ON/1s OFF
32		500Hz - 1200Hz, 3.75s/0.25s OFF (AS2220)



Installation

- IP43C (EN54-3)*
IP65 (EN60529)**
- 10°C ÷ +50°C
- ~183g
- Indoor use*
- Outdoor use**

* When used with base B124/B124-HP
** When used with base WSB IP65

Contact Information:

Teletek Electronics JSC
14A Srebarna Str, 1407 Sofia, Bulgaria

Tel.: +359 2 9694 800
Fax: +359 2 9625 213

info@teletek-electronics.bg
www.teletek-electronics.com