

SF100 RSND

- 32 tone types
- 2 sound levels
- Small and compact design



Sounder Type: A

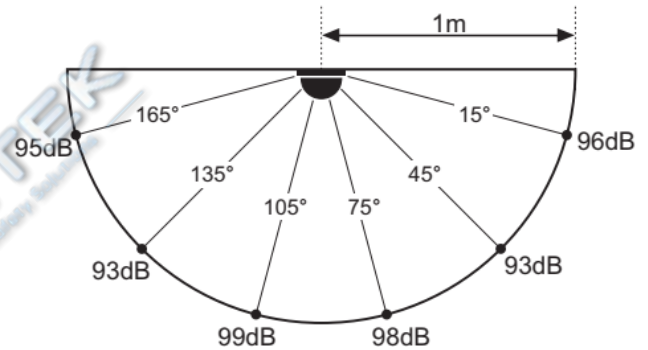
DESCRIPTION:

SF100 RSND is a conventional fire alarm sounder, designed for installing in conventional fire alarm systems. The sounder supports 32 different alarm tone types selectable via DIP switches on the PCB. The sounder has two inputs for connection to a conventional fire alarm panel: "Alarm" and "Evacuation". The tone sounds of the inputs are different for easy recognition from the users on the protected site. The Evacuation event is with the highest priority. SF100 RSND is designed for indoor use only. The sounder is easy for installation and consists of three parts: mounting plane basis, sounder body and a plastic red or white cover. The conventional sounder SF100 RSND is certified according to standard EN54, part 3.

TECHNICAL FEATURES

- Operating Voltage Range20-28VDC
- Maximal consumption (main tone type 27):
 - low volume level 8.5 mA @ 24VDC
 - high volume level22mA @ 24VDC
- Sound volume (main tone type 27):
 - low volume. ~ 94dB @ 1m
 - high volume ~ 102dB @ 1m
- Sound volume (other tone types):
 - low volume.88-99dB @ 1m
 - high volume90-102dB @ 1m
- Number of tone types32
- Wire Gauge for terminals0.2 - 1.5mm²
- Operating temperature-10°C ÷ +60°C
- IP Protection IP21C
- Relative humidity resistance93 ± 3)% @ +40°C
- Color.....Red/White
- MaterialABS
- Weight.....~248g
- Dimensions.....102x32mm

A-weighted sound level diagram



CE¹⁷
1293
DoP No: 081
1293-CPR-0556

EN54-3:2001
EN54-3:2001/A1:2002
EN54-3:2001/A2:2006

Sounder Type: A

COMPATIBLE PRODUCT RANGE

- MAG 2/4/8/8 Plus - Conventional Fire Alarm Panels
- SensoIRIS MOUT - Potential output for conventional sounders
- IRIS/SIMPO - Addressable fire alarm panels
- MIO22M- addressable input-output module

PACKING INFORMATION

- Packing box - 1 unit SF100 RSST, dimensions 108/108/48 mm.
- Carton box - 100 units SF100 RSST, dimensions 560/362/230 mm.

Last update: November 2020