

SensoIRIS WSOU IS-R Addressable Wall Mount Fire Sounder

EN54-3/ 17

Description

SensoIRIS WSOU IS-R is an addressable Wall Mount Sounder designed for installing in addressable fire alarm systems supporting TTE communication protocol. The sounder has a built-in isolator module. The device is powered on from the panel and can be controlled via the communication protocol. SensoIRIS WSOU IS-R is compatible with fire bases B124 for ceiling mounting and WSB IP65 for wall mounting.

Technical and Environmental Specifications

Operating Voltage Range	16 - 32VDC (Nom. 27VDC)
Nominal consumption (stand-by)	<500µA@27VDC
Maximal consumption (main tone type 27):	
- low volume level	<5mA
- high volume level*	<16.5mA
Maximal consumption (other tone types):	
- low volume level	<4mA
- high volume level	<10mA
Consumption with activated isolator	<15mA
Power volume (main tone type 27):	
- low volume	~ 80dB (A) ± 6dB @ 1m
- high volume*	~ 92dB (A) ± 5dB @ 1m
Power volume (other tone types):	
- low volume	75-85dB ± 3dB @ 1m
- high volume	80-95dB ± 3dB @ 1m
Number of tone types	32
Supported communication protocol	TTE
Wire Gauge for terminals	2.5mm ²
Relative humidity resistance	(93 ± 3)% @ 40°C
Protection	IP21C
Weight	183g
Dimensions (without base)	116x55mm
Color	red
Material	ABS

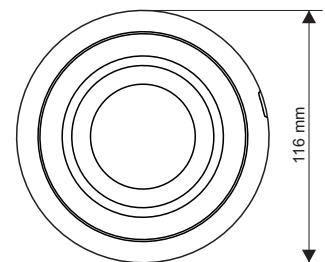
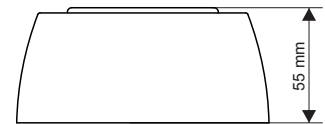
* **Note:** Approved to EN54-3 only!



DoP No: 005
1293-CPR-0464 Rev.1
Tested by EVPU



1139e/01



Packing Information

- **Packing box** - 1 unit SensoIRIS WSOU IS-R, dimensions 117x120x57 mm.
- **Carton box** - 40 units SensoIRIS WSOU IS-R, dimensions 520x250x367 mm.

Compatible Product Range

- **IRIS** - Addressable Fire Panel, 4 loops, 96 zones
- **SIMPO** - Addressable Fire Panel, 2 loops, 48 zones
- **SensoIRIS Programmer** - Address Programming Tool
- **SensoIRIS B124** - Standard Base, indoor mounting
- **SensoIRIS WSB IP65** - Waterproof IP65 Base, outdoor mounting

Contact Information:

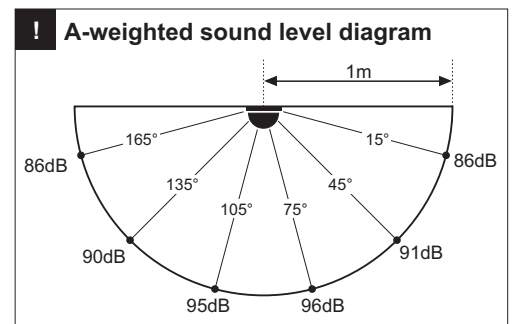
SensoIRIS WSOU IS-R Addressable Wall Mount Fire Sounder

EN54-3/ 17

Supported Tone Types and Description

Tone	Tone Type	Tone Description / Application
1		970Hz
2		800Hz/970Hz @ 2Hz
3		800Hz - 970Hz @ 1Hz
4		970Hz 1s OFF/1s ON
5		970Hz, 0.5s/ 630Hz, 0.5s
6		554Hz, 0.1s/ 440Hz, 0.4s (AFNOR NF S 32 001)
7		500 - 1200Hz, 3.5s/ 0.5s OFF (NEN 2575:2000)
8		420Hz 0.625s ON/0.625s OFF (Australia AS1670 Alert tone)
9		500 - 1200Hz, 0.5s/ 0.5s OFF x 3/1.5s OFF (AS1670 Evacuation)
10		550Hz/440Hz @ 0.5Hz
11		970Hz, 0.5s ON/0.5s OFF x 3/ 1.5s OFF (ISO 8201)
12		2850Hz, 0.5s ON/0.5s OFF x 3/1.5s OFF (ISO 8201)
13		1200Hz - 500Hz @ 1Hz (DIN 33 404)
14		400Hz
15		550Hz, 0.7s/1000Hz, 0.33s
16		1500Hz - 2700Hz @ 3Hz
17		750Hz
18		2400Hz
19		660Hz
20		660Hz 1.8s ON/1.8s OFF
21		660Hz 0.15s ON/0.15s OFF
22		510Hz, 0.25s/ 610Hz, 0.25s
23		800/1000Hz 0.5s each (1Hz)
24		250Hz - 1200Hz @ 12Hz
25		500Hz - 1200Hz @ 0.33Hz
26		2400Hz - 2900Hz @ 9Hz
27*		2400Hz - 2900Hz @ 3Hz 2500Hz (main sound frequency)
28		800Hz - 970Hz @ 100Hz
29		800Hz - 970Hz @ 9Hz
30		800Hz - 970Hz @ 3Hz
31		800Hz, 0.25s ON/1s OFF
32		500Hz - 1200Hz, 3.75s/0.25s OFF (AS2220)

* Note: Approved to EN54-3 only!



Installation

- IP21C (EN54-3)*
IP65 (EN60529)**
- 10°C ÷ +50°C
- ~183g
- Indoor use*
- Outdoor use**

* When used with base B124
** When used with base WSB IP65

Contact Information:

Teletek Electronics JSC
14A Srebarna Str, 1407 Sofia, Bulgaria

Tel.: +359 2 9694 800
Fax: +359 2 9625 213

info@teletek-electronics.bg
www.teletek-electronics.com